

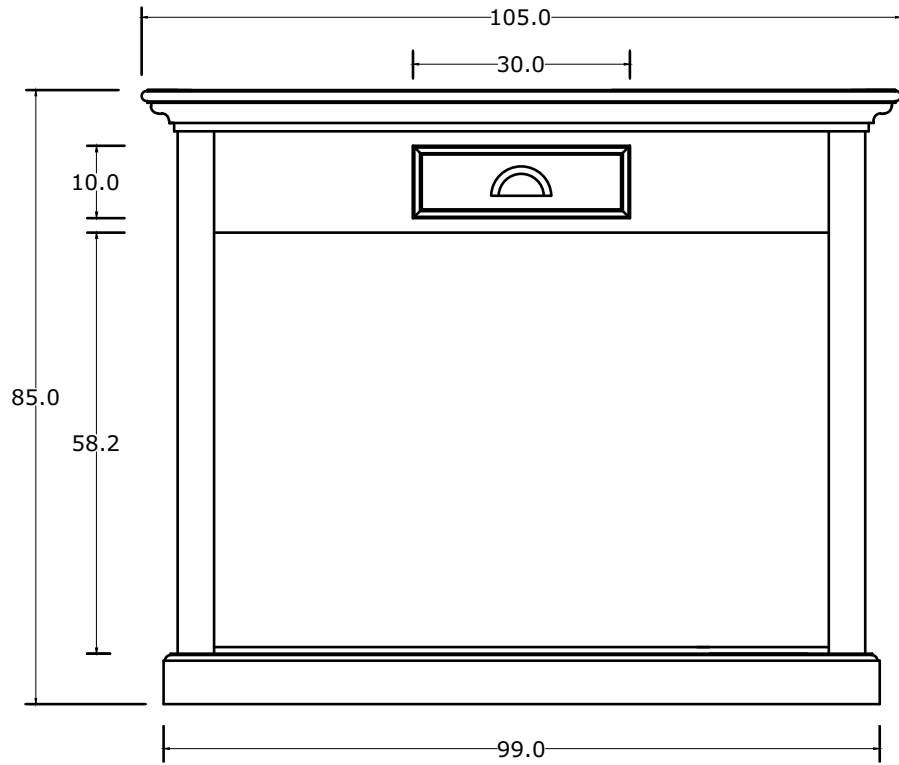
# Technical Drawing

T767

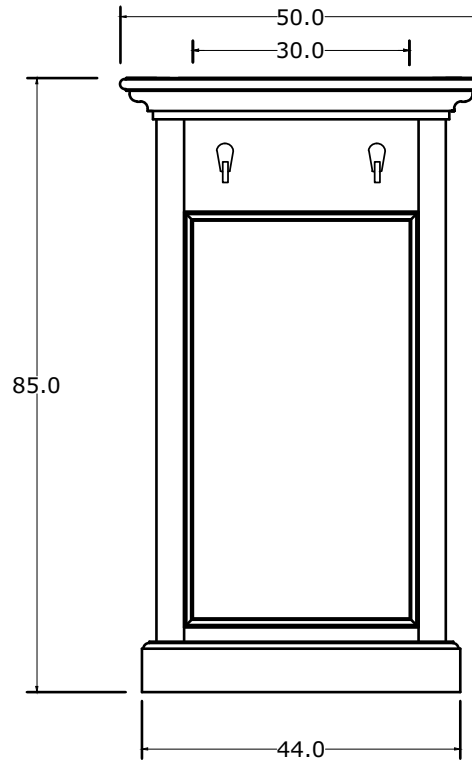
Halifax Kitchen Table Set



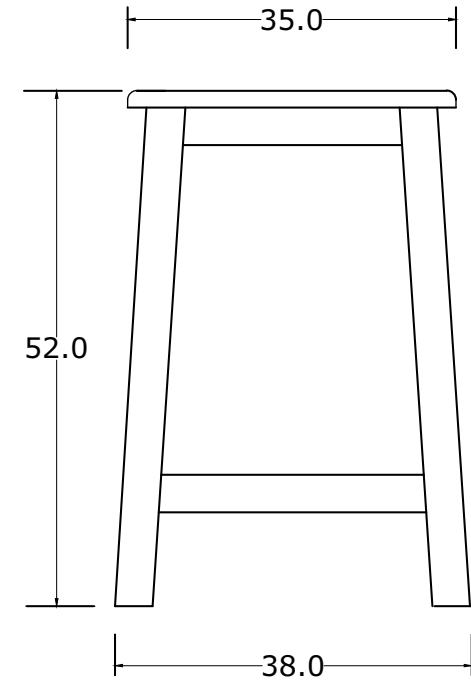
**NOVA  
SOLO**



FRONT & BACK VIEW



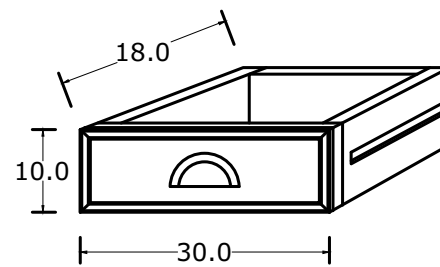
SIDE VIEW



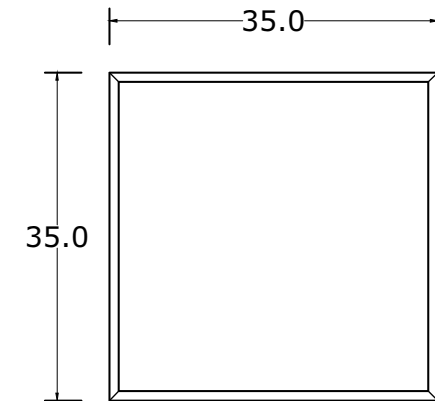
FRONT SIDE



TOP VIEW



DRAWER



TOP VIEW